

Barrial®

Table of ultimate loads per fixing

Values of loads per fixing in daN
(in tension towards the outside only)

post centres = 1500 mm

S_{ds} = working loads or serviceability limit state (SLS) = 30 daN/m

S_{du} = ultimate loads or ultimate limit state (ULS) = 1.5 x S_{ds}

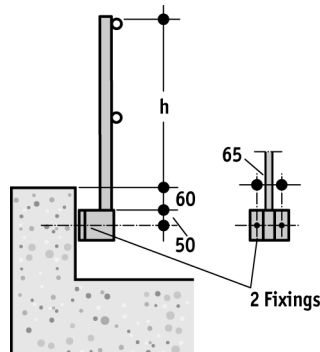
dani alu recommends the use of chemical anchors and stainless steel bolts for fixing the Barrial safety railing to the structure.

In order to determine the best fixing for a particular background, we recommend seeking the advice of the structural engineer, if one has been appointed, or of the fixings supplier's technical department.

The table of loads given here will allow the fixings supplier to determine the best fixing to suit the characteristics of the background.

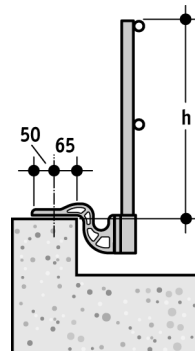
Depending on the quality of the background and the type of fixing selected, the posts of the safety railing may need to be closer together (seek advice from your fixings supplier or contact us).

Barrial shoes must not be fixed through a roof covering membrane in order to avoid creep phenomena. If applicable, the roof covering must be cut away and reformed around the shoe.



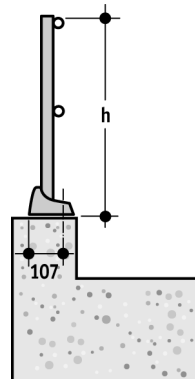
Shoe A, Ae, A10, Ar, Aer, A10r
Offset 50 mm,
No. of fixings 2,
Distance from edge 60 mm,
post centres 1500 mm

h (post height)	S _{ds}	S _{du}
200	117	176
300	162	243
400	207	311
500	252	378
600	297	446
700	342	513
800	387	581
900	432	648
1000	477	716



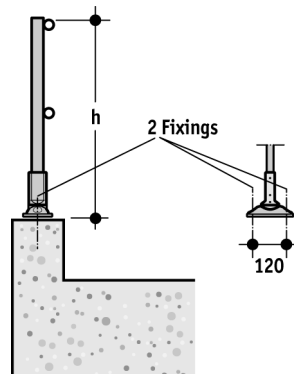
Shoe Z, Zr
Offset 50 mm,
No. of fixings 1,
post centres 1500 mm

h (post height)	S _{ds}	S _{du}
200	180	270
300	270	405
400	360	540
500	450	675
600	540	810
700	630	945
800	720	1080
900	810	1215
1000	900	1350



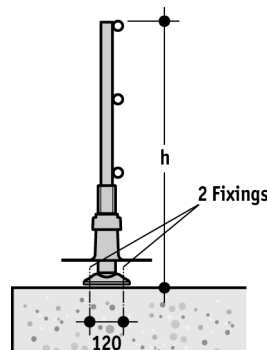
Shoe F
Offset 107 mm,
No. of fixings 1,
post centres 1500 mm

h (railing height)	S _{ds}	S _{du}
200	126	189
300	127	191
400	169	254
500	211	317
600	253	380
700	295	443
800	337	506
900	379	569
1000	421	632
1100	463	695



Shoe M, M+
Offset 120 mm,
No. of fixings 2,
post centres 1500 mm

h (railing height)	S _{ds}	S _{du}
200	135	203
300	135	203
400	180	270
500	225	338
600	270	405
700	315	473
800	360	540
900	405	608
1000	450	675
1100	495	743



Shoe D
Offset 120 mm,
No. of fixings 2,
post centres 1500 mm

h (railing height)	S _{ds}	S _{du}
1100	413	620
1200	450	675
1250	469	704